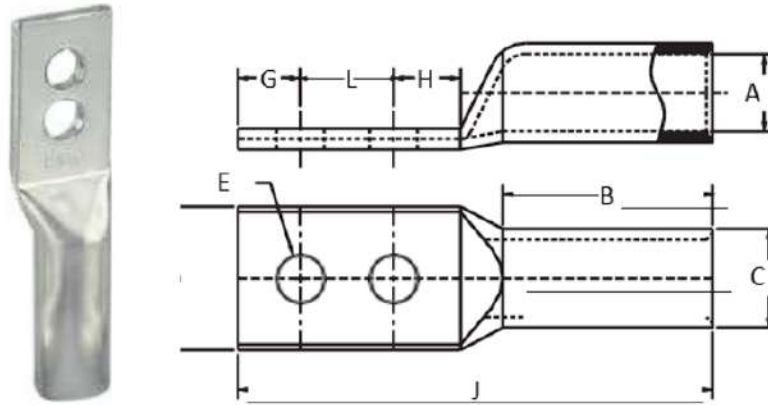


LONG BARREL DOUBLE HOLE

CTL-2 SERIES



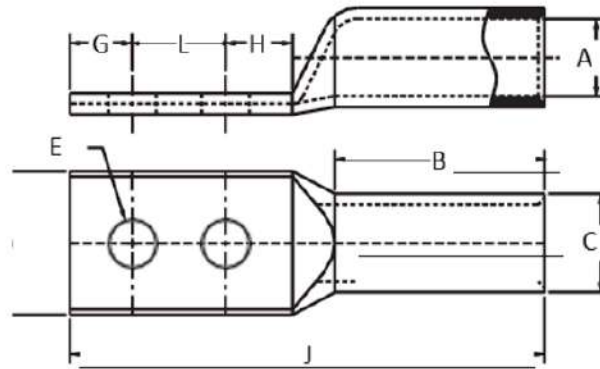
Material : Electrolytic High Conductivity Copper
finish : Tin Plated

CONDUCTOR SIZE AWG	STUD HOLE (E)	TWO HOLE CENTER DIST. (L)	DIMENSIONS MM							PRODUCT CODE	CANDOUR ITEM CODE
			A	C	B	D	G	H	J		
8 AWG	6.8	15.88	4.4	6.9	20.6	10.7	8.5	8.3	59.2	CI-CTL2-8-1/4 I	23600000
	6.8	19.05	4.4	6.9	20.6	10.7	8.5	8.3	62.2	CI-CTL2-8-1/4 II	23600001
6 AWG	6.8	15.88	5.0	7.4	28.4	10.7	8.0	8.0	67.3	CI-CTL2-6-1/4 I	23600002
	6.8	25.4	5.0	7.4	28.4	10.7	8.0	8.0	77.0	CI-CTL2-6-1/4 III	23600003
	13.2	44.45	5.0	7.4	28.4	*20.6	15.8	15.8	111.8	CI-CTL2-6-1/2 IV	23600004
	10.2	25.4	5.0	7.4	28.4	14.5	10.5	10.5	81.8	CI-CTL2-6-3/8 III	23600005
	10.2	19.05	5.0	7.4	28.4	14.5	10.5	10.5	75.4	CI-CTL2-6-3/8 II	23600006
4 AWG	6.8	15.88	6.3	8.6	28.4	12.7	8.5	8.5	68.6	CI-CTL2-4-1/4 I	23600007
	6.8	19.05	6.3	8.6	28.4	12.7	8.5	8.5	71.9	CI-CTL2-4-1/4 II	23600008
	10.2	25.4	6.3	8.6	28.4	14.2	10.5	11.0	82.8	CI-CTL2-4-3/8 III	23600009
	13.2	44.45	6.3	8.6	28.4	*20.6	15.5	17.0	113.0	CI-CTL2-4-1/2 IV	23600010
2 AWG	6.8	15.88	7.8	10.6	31.8	15.5	11.0	11.7	77.5	CI-CTL2-2-1/4 I	23600011
	6.8	19.05	7.8	10.6	31.8	15.5	11.0	11.7	80.5	CI-CTL2-2-1/4 II	23600012
	8.4	19.05	7.8	10.6	31.8	15.5	11.0	11.7	80.5	CI-CTL2-2-5/16 II	23600013
	10.2	44.45	7.8	10.6	31.8	15.5	11.0	11.7	105.9	CI-CTL2-2-3/8 IV	23600014
	10.2	25.4	7.8	10.6	31.8	15.5	11.0	11.7	86.9	CI-CTL2-2-3/8 III	23600015
	13.2	44.45	7.8	10.6	31.8	*21.1	11.0	11.7	105.9	CI-CTL2-2-1/2 IV	23600016
1 AWG	6.8	15.88	9.0	11.7	35.1	17.3	16.0	18.9	93.5	CI-CTL2-1-1/4 I	23600017
	6.8	19.05	9.0	11.7	35.1	17.3	16.0	18.9	96.5	CI-CTL2-1-1/4 II	23600018
	8.4	19.05	9.0	11.7	35.1	17.3	16.0	18.9	96.5	CI-CTL2-1-5/16 II	23600019
	10.2	25.4	9.0	11.7	35.1	17.3	16.0	18.9	102.9	CI-CTL2-1-3/8 III	23600020
	13.2	44.45	9.0	11.7	35.1	21.1	16.0	18.9	112.4	CI-CTL2-1-1/2 IV	23600021



LONG BARREL DOUBLE HOLE

CTL-2 SERIES



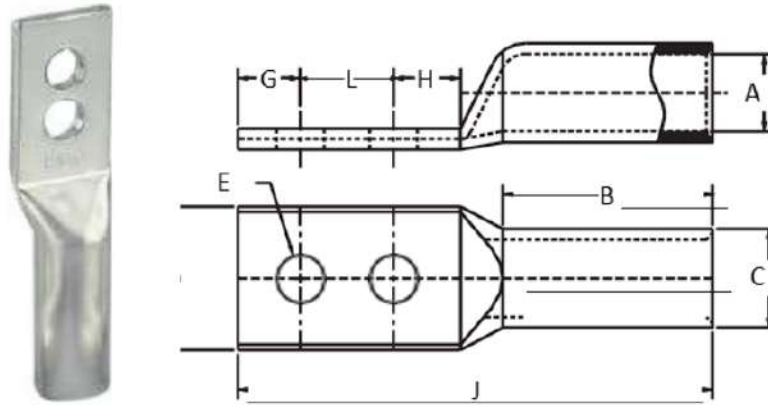
Material : Electrolytic High Conductivity Copper
finish : Tin Plated

CONDUCTOR SIZE AWG	STUD HOLE (E)	TWO HOLE CENTER DIST. (L)	DIMENSIONS MM							PRODUCT CODE	CANDOUR ITEM CODE
			A	C	B	D	G	H	J		
1/0 AWG	6.8	15.88	9.9	13.1	35.1	19.1	16.0	17.7	91.9	CI-CTL2-1/0-1/4 I	236000022
	6.8	19.05	9.9	13.1	35.1	19.1	16.0	17.7	95.3	CI-CTL2-1/0-1/4 II	236000023
	8.4	25.4	9.9	13.1	35.1	19.1	16.0	17.7	102.0	CI-CTL2-1/0-5/16 III	236000024
	10.2	25.4	9.9	13.1	35.1	19.1	16.0	17.7	102.0	CI-CTL2-1/0-3/8 III	236000025
	10.2	44.45	9.9	13.1	35.1	19.1	16.0	17.7	121.9	CI-CTL2-1/0-3/8 IV	236000026
	13.2	44.45	9.9	13.1	35.1	*20.6	16.0	17.7	112.2	CI-CTL2-1/0-1/2 IV	236000027
2/0 AWG	6.8	15.88	11.3	14.3	38.1	20.8	16.0	16.7	95.3	CI-CTL2-2/0-1/4 I	236000028
	6.8	19.05	11.3	14.3	38.1	20.8	16.0	16.7	99.1	CI-CTL2-2/0-1/4 II	236000029
	10.2	25.4	11.3	14.3	38.1	20.8	16.0	16.7	105.4	CI-CTL2-2/0-3/8 III	236000030
	13.2	44.45	11.3	14.3	38.1	20.8	16.0	16.7	126.2	CI-CTL2-2/0-1/2 IV	236000031
	20.0	44.45	11.3	14.3	38.1	*28.0	18.0	18.0	130.5	CI-CTL2-2/0-3/4 IV	236000032
3/0 AWG	6.8	19.05	12.4	15.7	38.1	23.1	16.0	17.7	101.6	CI-CTL2-3/0-1/4 II	236000033
	10.2	25.4	12.4	15.7	38.1	23.1	16.0	17.7	108.0	CI-CTL2-3/0-3/8 III	236000034
	13.2	44.45	12.4	15.7	38.1	23.1	16.0	17.7	127.3	CI-CTL2-3/0-1/2 IV	236000035
	13.2	25.4	12.4	15.7	38.1	23.1	16.0	17.7	108.0	CI-CTL2-3/0-1/2 III	236000036
4/0 AWG	6.8	19.05	14.2	17.6	41.1	25.4	16.0	17.7	105.4	CI-CTL2-4/0-1/4 II	236000037
	10.2	44.45	14.2	17.6	41.1	25.4	16.0	17.7	130.8	CI-CTL2-4/0-3/8 IV	236000038
	10.2	25.4	14.2	17.6	41.1	25.4	16.0	17.7	111.8	CI-CTL2-4/0-3/8 III	236000039
	13.2	44.45	14.2	17.6	41.1	25.4	16.0	17.7	131.3	CI-CTL2-4/0-1/2 IV	236000040
250 MCM	10.2	25.4	15.1	19.1	41.1	27.7	17.0	17.7	113.3	CI-CTL2-250-3/8 III	236000041
	13.2	44.45	15.1	19.1	41.1	27.7	17.0	17.7	132.3	CI-CTL2-250-1/2 IV	236000042
300 MCM	10.2	25.4	16.5	20.7	50.8	30.5	18.0	18.0	124.2	CI-CTL2-300-3/8 III	236000043
	13.2	44.45	16.5	20.7	50.8	30.5	18.0	18.0	143.3	CI-CTL2-300-1/2 IV	236000044
	20.0	44.45	16.5	20.7	50.8	30.5	18.0	18.0	143.3	CI-CTL2-300-3/4 IV	236000045



LONG BARREL DOUBLE HOLE

CTL-2 SERIES



Material : Electrolytic High Conductivity Copper
finish : Tin Plated

CONDUCTOR SIZE AWG	STUD HOLE (E)	TWO HOLE CENTER DIST. (L)	DIMENSIONS MM							PRODUCT CODE	CANDOUR ITEM CODE
			A	C	B	D	G	H	J		
350 MCM	6.8	19.05	17.8	22.3	50.8	32.8	17.0	18.0	115.6	CI-CTL2-350-1/4 II	236000046
	10.2	25.4	17.8	22.3	50.8	32.8	17.0	18.0	123.2	CI-CTL2-350-3/8 III	236000047
	13.2	25.4	17.8	22.3	50.8	32.8	17.0	18.0	144.3	CI-CTL2-350-1/2 IV	236000048
400 MCM	10.2	25.4	19.3	24.2	53.8	35.1	18.0	18.3	127.0	CI-CTL2-400-3/8 III	236000049
	13.2	44.45	19.3	24.2	53.8	35.1	18.0	18.3	148.6	CI-CTL2-400-1/2 IV	236000050
500 MCM	6.8	19.05	21.1	27.0	57.2	39.1	17.0	18.3	123.2	CI-CTL2-500-1/4 II	236000051
	10.2	25.4	21.1	27.0	57.2	39.1	17.0	18.3	129.5	CI-CTL2-500-3/8 III	236000052
	13.2	44.45	21.1	27.0	57.2	39.1	17.0	18.3	153.9	CI-CTL2-500-1/2 IV	236000053
600 MCM	10.2	25.4	23.4	30.1	68.3	43.4	18.0	18.6	142	CI-CTL2-600-3/8 III	236000054
	13.2	44.45	23.4	30.1	68.3	43.4	18.0	18.6	167.4	CI-CTL2-600-1/2 IV	236000055
750 MCM	10.2	25.4	26.2	33.1	73.2	48.0	18.0	18.9	149.1	CI-CTL2-750-3/8 III	236000056
	13.2	44.45	26.2	33.1	73.2	48.0	18.0	18.9	174.5	CI-CTL2-750-1/2 IV	236000057
1000 MCM	10.2	25.4	29.7	38.2	76.2	55.6	20.0	20.7	156.0	CI-CTL2-1000-3/8 III	236000058
	13.2	44.45	29.7	38.2	76.2	55.6	20.0	20.7	181.4	CI-CTL2-1000-1/2 IV	236000059

